



# AX-514RH

## Half Size Convection Oven with Humidity Manual Controls - Reversing Fan - 4 shelves



		<b>Features</b>
<b>Manual controls</b>	Time, temperature, humidity	
<b>Load capacity</b>	4 shelves for half size sheet pans	
<b>High speed reversing fan</b>	1 (3200 rpm)	
<b>Space between shelves</b>	3" (75 mm)	
<b>Power requirements</b>	2,700 Watts / 208-240 V / 60 / 1 Oven supplied with power cord and plug	
<b>Temperature</b>	86° - 540° F	
<b>Equipped with</b>	120 minute timer - Signal at end of cycle	
<b>Cavity size (inches)</b>	18.7"x15"x12.6" (WxDxH)	
<b>Unit dimensions (inches)</b>	22.05" x 25.48" x 20.85" (WxDxH)	
<b>Shipping dimensions (inches)</b>	23.63" x 26.77" x 21.65" (WxDxH)	
<b>Net / Ship weight</b>	73 lb / 80 lb	
		<ul style="list-style-type: none"><li>• Advanced airflow design</li><li>• Automatic high speed reversing fan</li><li>• Manual control: 120 minute timer or continuous ON</li><li>• Interior halogen light</li><li>• Includes electro valve for direct water connection</li><li>• Micro safety switch shuts oven off when door is open</li><li>• Heavy duty stainless steel body construction</li><li>• "Cold Door" design with double pane glass</li><li>• Reinforced door hinges</li><li>• Oven door can support weight limit of 80 lbs.</li><li>• Oven cavity is insulated with ultra-high temperature fiberglass insulation</li><li>• 4 Stainless steel wire shelves</li><li>• Ovens can be stacked (kit required)</li><li>• Warranty: 2 years parts &amp; 1 year labor exclusive of lights, gaskets and glass</li></ul>

## OVEN STANDS & PROOFERS



**AX-501 OVEN STAND**  
SHIP WT: 43 lbs

- HD stand with tray slides for half size sheet pans
- Dimensions: 23.30" x 20.87" x 31.50"
- Accommodates any "5" series ovens



**AX-PR5**  
SHIP WT: 133 lbs



- Capacity: 8 half size sheet pans
- Space between pans: 3"
- 208-240/60/1, 2000 Watts
- Heat setting up to 140°F
- Manual fill water supply in bottom tray

## CONVECTION ACCESSORIES



**DEFLECTOR**  
CODE: 124-DEF

- 1 is required for "5" series
- Air deflector plate for delicate baking

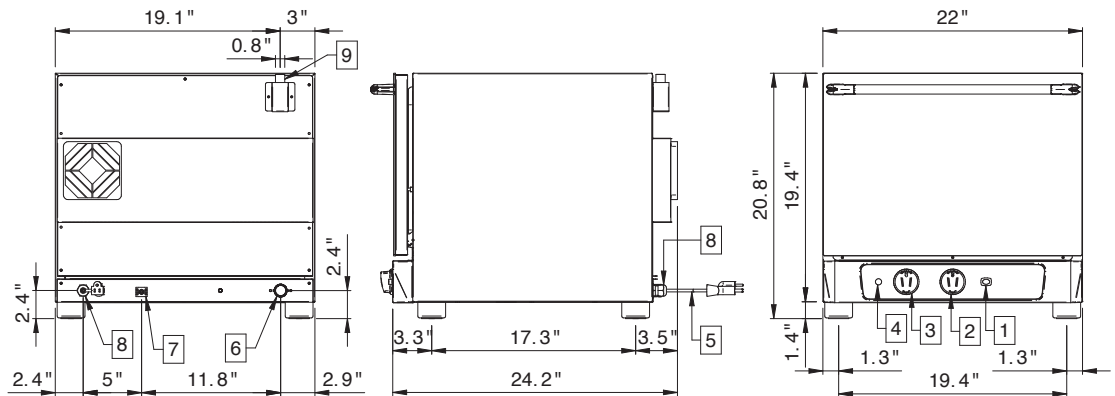


**STACKING KIT "5" SERIES**  
CODE: 124-KIT5

- Stacking kit for "5" Series

## LINE DRAWINGS

AX-514RH



🇨🇦 514-737-9701 🇺🇸 786-600-4687

TOLL FREE: 888-275-4538

TOLL FREE: 844-218-8477

5659 ROYALMOUNT AVE, MONTREAL, QC, CANADA H4P2P9

12000 BISCAYNE BLVD, SUITE #108, MIAMI, FL, USA 33181

🌐 MVPGROUPCORP.COM ✉ SALES@MVPGROUPCORP.COM